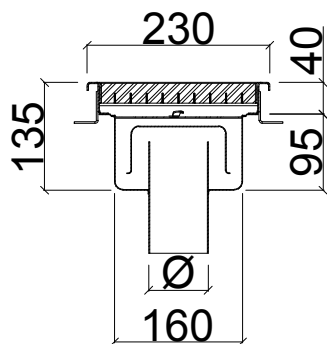
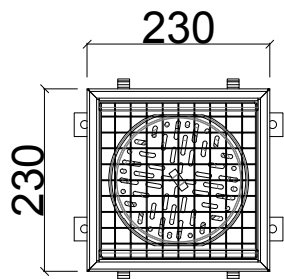
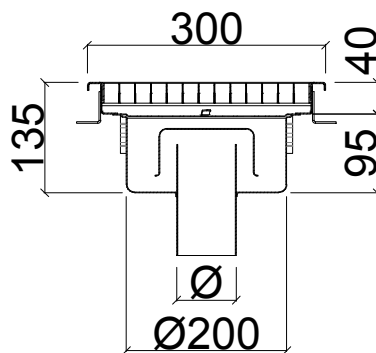
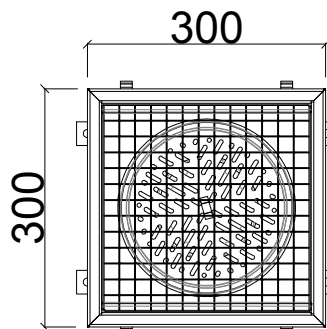


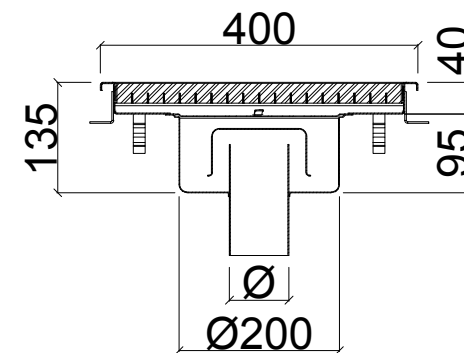
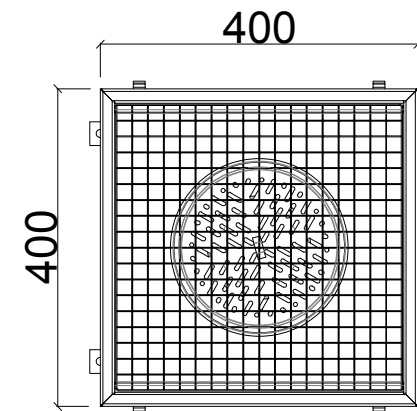
LOW TYPE			
MODEL	W x L	Ø	
		DN50	DN70
AG-22	230 x 230	Ø50	Ø75
Max. Flow Rate	lt / min	50	50
Waterseal Heigh		50mm	



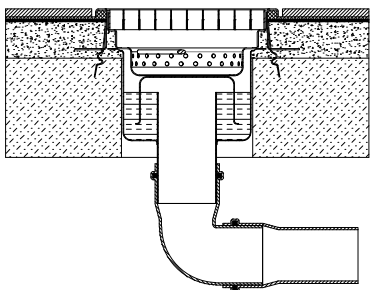
LOW TYPE				
MODEL	W x L	Ø		
		DN50	DN70	DN100
AG-33	300 x 300	Ø50	Ø75	Ø110
Max. Flow Rate	lt / min	50	50	70
Waterseal Heigh		50mm		



LOW TYPE				
MODEL	W x L	Ø		
		DN50	DN70	DN100
AG-44	400 x 400	Ø50	Ø75	Ø110
Max. Flow Rate	lt / min	50	50	70
Waterseal Heigh		50mm		



APPLICATION DRAWING



OPTIONAL

